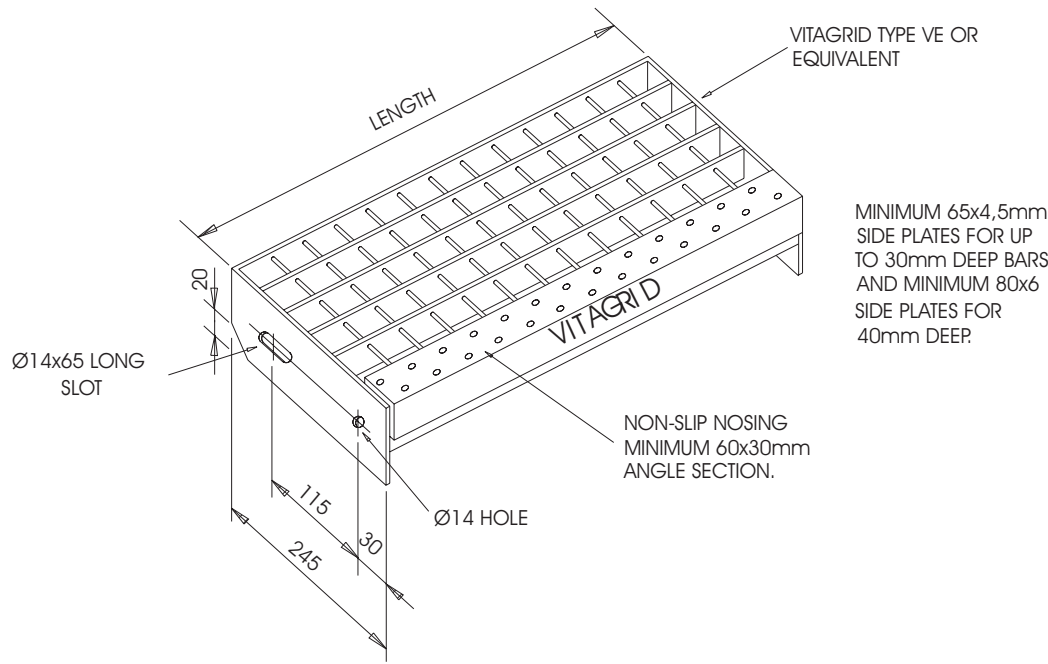


# VITAGRID

## STAIRTREAD SCHEDULE

DRAWING No.	STAIR No.	B/BARS	LOCATION	LENGTH AND QUANTITIES			
				1000	900	750	600
TOTAL							



	BY	DATE	TITLE	
DRAWN				JOB No.
CHECKED				SHEET OF
APPROVED			CUSTOMER	DRG. No. <span style="float: right; border: 1px solid black; padding: 2px;">REV.</span>