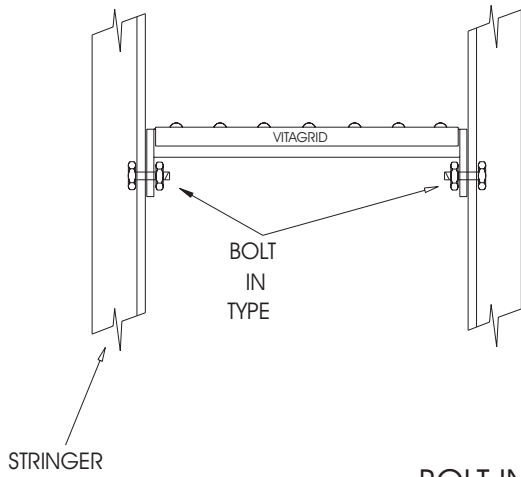
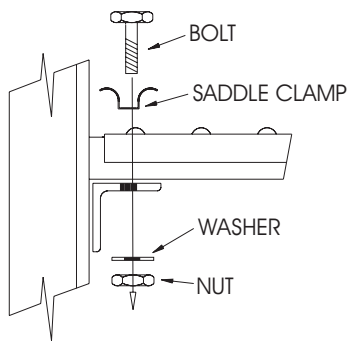
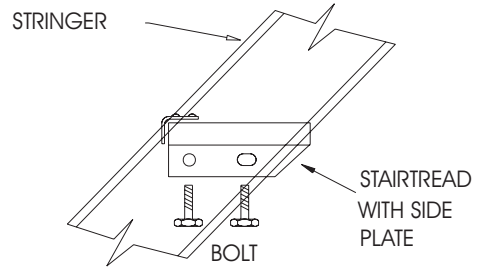


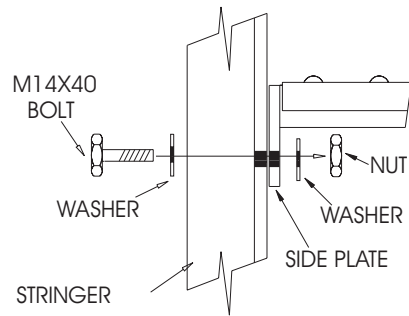
STAIRTREAD FIXINGS



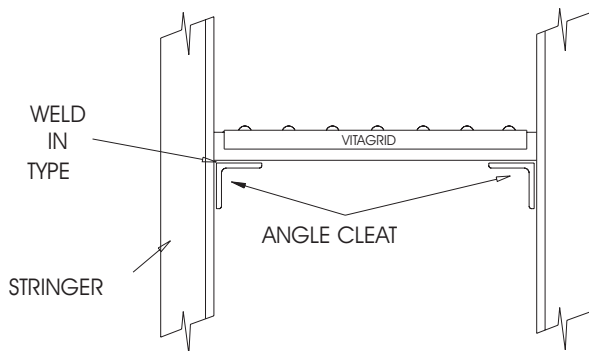
BOLT IN TYPE



BOLT ON TYPE



BOLT IN TYPE



WELD IN TYPE

