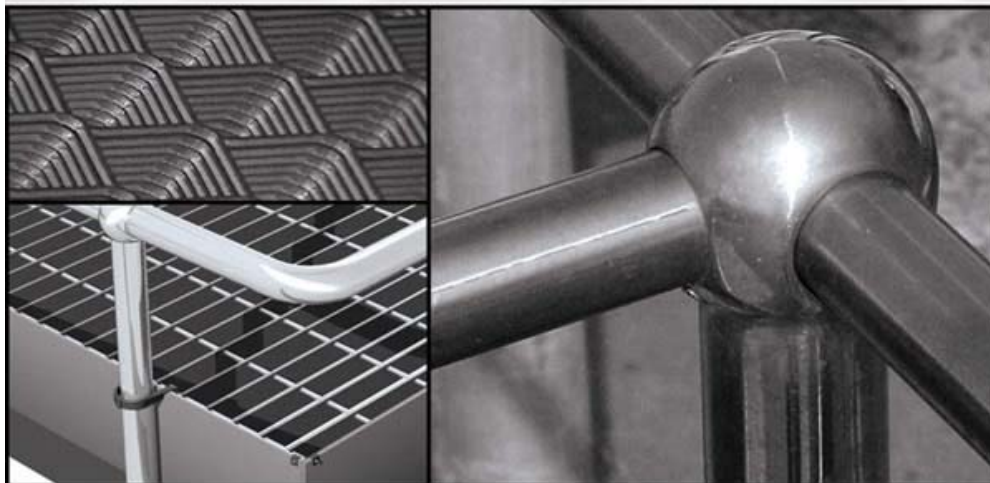




VITAL ENGINEERING & ANGUS MCLEOD



gratings • expanded metal • handrails • vitagrid • maclock • vitacon • vitex

Your **First** Choice.
Vital support.

Content

Vital Engineering Introduction.....	02
Grating Terminology.....	03
Vitagrid Walkway Flooring.....	05
Vitagrid Heavy Duty Flooring.....	07
Vitagrid Aluminium Flooring.....	08
Vitagrid Stainless Steel Flooring.....	09
Standard Flooring Panels.....	10
Diamond Pattern.....	11
Stairtreads.....	12
Vitacon.....	14
Vitaglass Gratings.....	15
Vitex Expanded Metal.....	18
Load Tables.....	19
Handrailing Products.....	23
Fixings.....	28
Supa Service.....	29
Interactive CD.....	30



YOUNG & GROWING



ENISO 9001-2000

Vitaglass gratings

Vitaglass Moulded Grating open mesh and solid top grating is a cost effective, lightweight solution for walkways, platforms, gullies, trenches and mezzanines, offering good chemical resistance together with excellent anti-slip properties. Vitaglass Moulded Gratings are easy to install and available in a variety of thickness and mesh sizes.

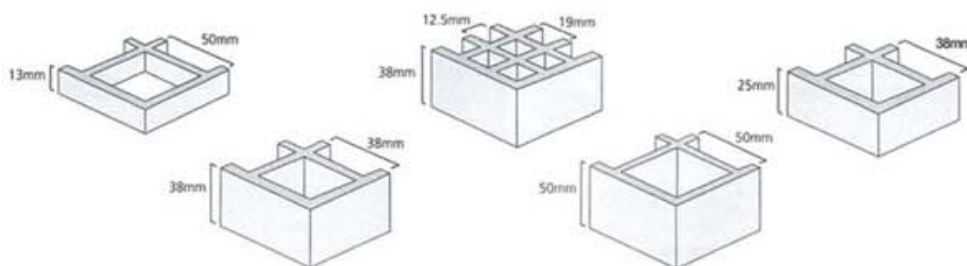
Thickness	**Panel Size(mm)	Mesh(mm)	Open Area %	Approx. Weight Kg/m ²
13	2440 x 1220	50 x 50	72	7
25	3042 x 904	25 x 100	65	13
25	2440 x 1220	38 x 38	70	12
38	2440 x 1220	38 x 38	70	18
38	2440 x 1220	19 x 19	32	24*
50	2440 x 1220	50 x 50	72	20*

* Also available in 3mm gritted solid top.

** Other panel sizes available on request.



Resin	Colour	Features
Isophthalic Polyester	Dark Grey RAL 7043	Chemical Resistant, Fire Retardant to BS476 Part 7 class 1, ASTM - E84 & ASTM - D635
Isophthalic Vinyl ester	Light Grey RAL 7040	Enhanced Chemical Resistant to ASTM - E84 & ASTM - D635
Phenolic**	Dark Brick Red	Excellent Fire Retardant properties, Meets BS476 Part 7 class 0

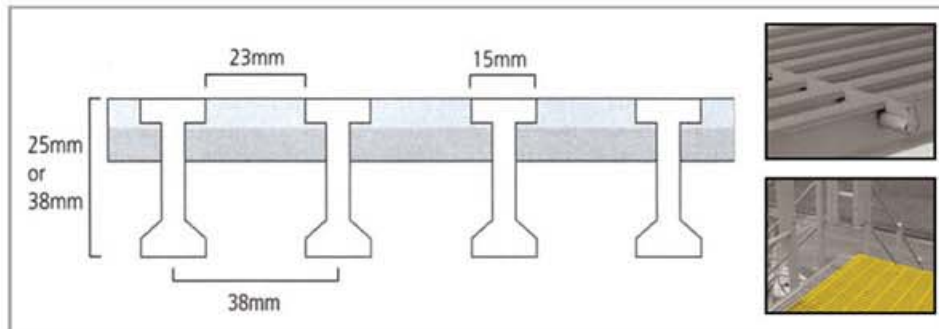


Vitaglass Pultruded Grating

Vitaglass Pultruded Grating is a system manufactured using 'I' section load bearing bars mechanically locked and bonded to transverse bars for maximum strength. Vitaglass Pultruded Grating is suitable for wide spans whilst offering a large open area for drainage. 1500mm Clear span for 5kN/m². Vitaglass Pultruded Grating conforms to BS4592 Part 4 1992 and BS5395 Part 3 1985 and withstands a 5kJ impact.

Vitaglass gratings

Grating Depth	Mesh Size mm	Standard Panel Size (mm)	Open Area %	Weight Kg/m ²
25mm	38 x 150	3000 x 1000	60	15
38mm	38 x 150	3000 x 1000	60	19



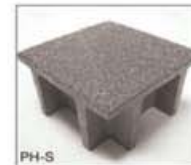
Resin	Fire Retardant - BS476 Part 7 Class 1 ASTM E-84, ASTM D 635	Chemical Resistance*	Colour Grey - RAL 7038 Yellow - RAL 1021
Isophthalic Polyester	✓	Good	✓
Vinylester	✓	Excellent	✓

* Contact our technical department for Chemical Resistance Guide.

Vitaglass Phenolic gratings provide ultimate performance where Fire Resistance, Low Smoke and Toxicity emissions are critical. Designed to withstand prolonged fire exposure without sustaining structural damage.

Added Advantages:

- High strength
- Corrosion resistant
- Lightweight
- Anti-slip



Grating	Thickness	Panel size mm	Weight kg/m ²	Mesh	Open%
PH-S	41mm	240x1220**	22kg	solid	--
PH-SQ	38mm	240x1220**	18kg	38x38	68%
PH-R	38mm	240x1220**	20kg	150 x 38	55%
PH	38mm	3000x1000	20kg	150 x 38	60%

Colour: Dark Brick Red

** Other panel sizes available on request

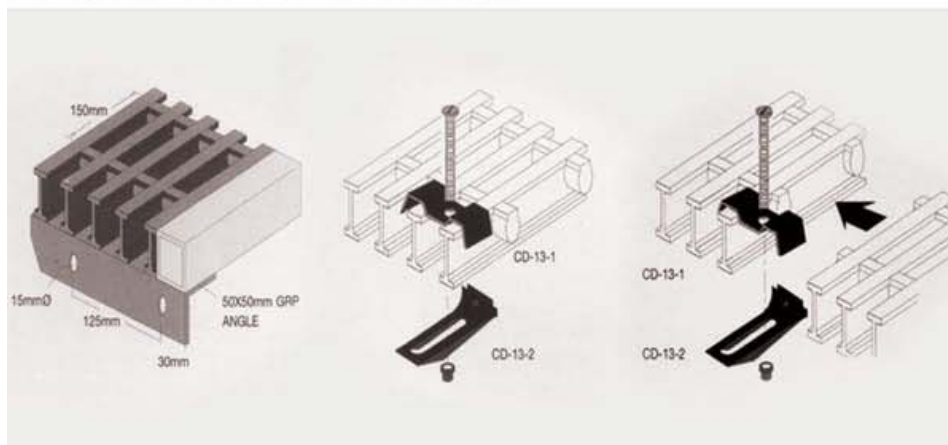
Please contact our sales office for Product Loadings and Performances.

Vitaglass gratings

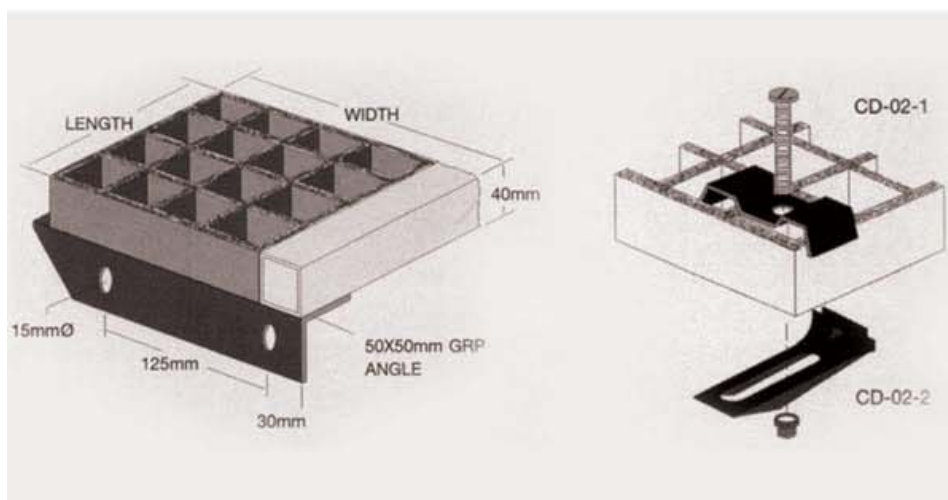
Stairtreads and Fixings

GRP stairtreads are supplied with a high visibility anti-slip nosing, available with fixings and optional GRP support angles. Maximum recommended tread width 1000mm - complies with load requirements of BS4592 Pt. 4. Fixings available in 316 Stainless and Galvanised mild steel - also suitable for use with Phenolic gratings.

Vitaglass Pultruded Gratings



Vitaglass Moulded Gratings



Contact Us

Vital Engineering (Pty) Ltd & Angus McLeod & Co (Pty) Ltd

P.O. Box 6099, Dunswart, 1508
Lea Road, Anderbolt, South Africa
Telefax: +27 (11) 918 3000
Tel: +27 (11) 898 8500
E-Mail: sales@gratings.co.za

Vital Sales Durban (Pty) Ltd

Tel: +27 (31) 902 3059
Fax: +27 (31) 902 2948
E-Mail: vitaldbn@gratings.co.za

Vital Sales Cape Town (Pty) Ltd

Tel: +27 (21) 534 1429
Fax: +27 (21) 534 6127
E-Mail: vitalct@gratings.co.za



www.gratings.co.za



**VITAL ENGINEERING
& ANGUS MCLEOD**